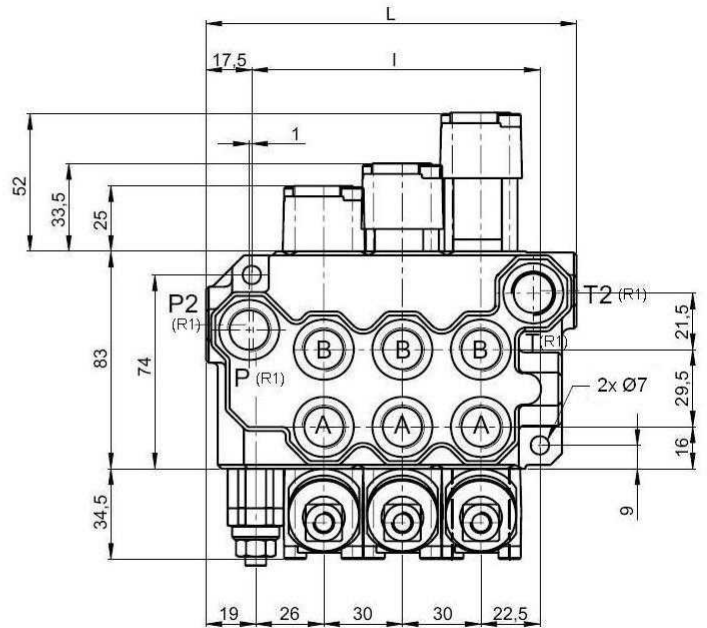
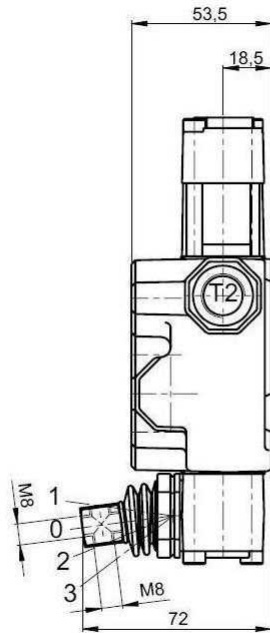
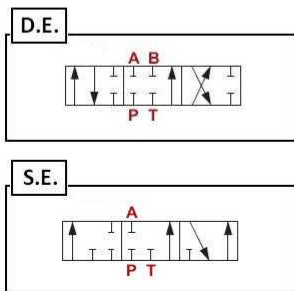


FM35+relief valve. Manual operator, return to center by spring



- Nominal Flow** 35 l/min
- Max. Flow** 35 l/min
- Nominal Pressure** 280 bar
- Max Working Pressure** 300 bar
- Max Tank-Line Pressure** 80 bar
- pressure relief valve range**
 - 100 to 250 bar
 - Standard: 140 bar
- A-B** 3/8"

Part nº	R1	Type	Max. flow (l/min)	Max. Press. (bar)	Levers	I	L
FM35/6 6P 3/8 SSSSSS	3/8" BSP		35	300	6		
FM35/1 3/8 1P DE	3/8" BSP	D.E.	35	300	1	50	81,5
FM35/1 3/8 1P M	3/8" BSP		35	300	1		
FM35/1 3/8 1P SE	3/8" BSP	S.E.	35	300	1	50	81,5
FM35/2 3/8 2P DD	3/8" BSP	DE - DE	35	300	2	80	115,5
FM35/2 3/8 2P DS	3/8" BSP	DE - SE	35	300	2	80	115,5
FM35/2 3/8 2P SS	3/8" BSP	SE - SE	35	300	2	80	115,5
FM35/3 3/8 3P DDD	3/8" BSP	DE - DE - DE	35	300	3	110	141,5
FM35/3 3/8 3P DDS	3/8" BSP	DE - DE - SE	35	300	3	110	141,5
FM35/3 3/8 3P DSS	3/8" BSP	DE - SE - SE	35	300	3	110	141,5
FM35/4 3/8 4P DDDD	3/8" BSP	DE - DE - DE - DE	35	300	4	140	171,5
FM35/4 3/8 4P DDDS	3/8" BSP	DE - DE - DE - SE	35	300	4	140	171,5
FM35/4 3/8 4P DDSS	3/8" BSP	DE - DE - SE - SE	35	300	4	140	171,5
FM35/5 3/8 5P DDDDD	3/8" BSP	DE - DE - DE - DE - DE	35	300	5	170	201,5
FM35/6 3/8 6P DDDDDD	3/8" BSP	DE - DE - DE - DE - DE - DE	35	300	6	200	231,5

FM35+relief valve. Manual operator, return to center by spring

Part n°	R1	Type	Max. flow (l/min)	Max. Press. (bar)	Levers	I	L
---------	----	------	-------------------	-------------------	--------	---	---

FM35/1 3/8 1P M has motor spool.
FM35= BM35