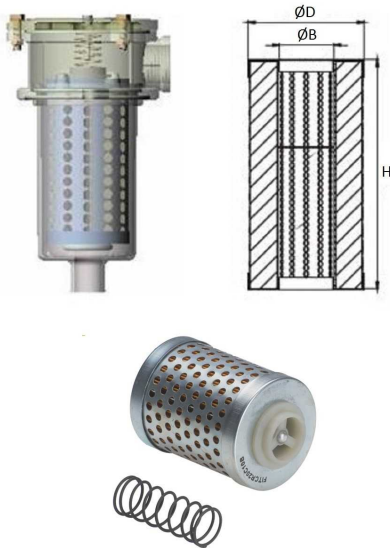


Filters

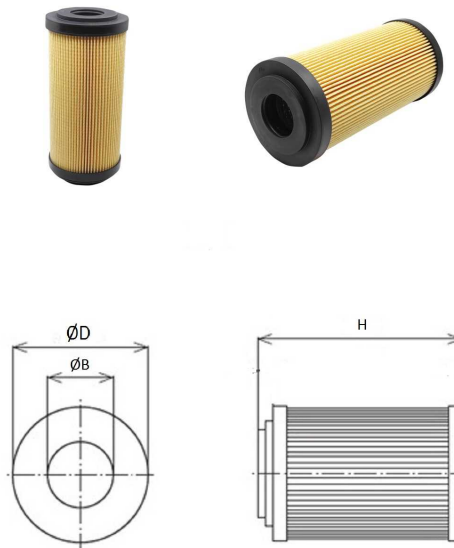
Return filter semi-submerged (cartridge)

Page: 1/1

FITCR10C10B
...
FITCR22C25B



FITCR40C10B
FITCR40C25B



All of the filters have bypass.

Opening of the bypass valve: 1 bar

Part n°	Details	Max. flow (l/min)	ØB	ØD	H
FITCR10C10B	Carton 10 µm	50	25,5	52	72
FITCR10C25B	Carton 25 µm	50	25,5	52	72
FITCR20C10B	Carton 10 µm	100	30,5	66	85
FITCR20C25B	Carton 25 µm	100	30,5	66	85
FITCR22C10B	Carton 10 µm	100	30,5	66	130
FITCR22C25B	Carton 25 µm	100	30,5	66	130
FITCR40C10B	Carton 10 µm	250	41	100	220
FITCR40C25B	Carton 25 µm	250	41	100	220

TOL--> ØB:±0,3; ØD:±0,5; H:±1,6