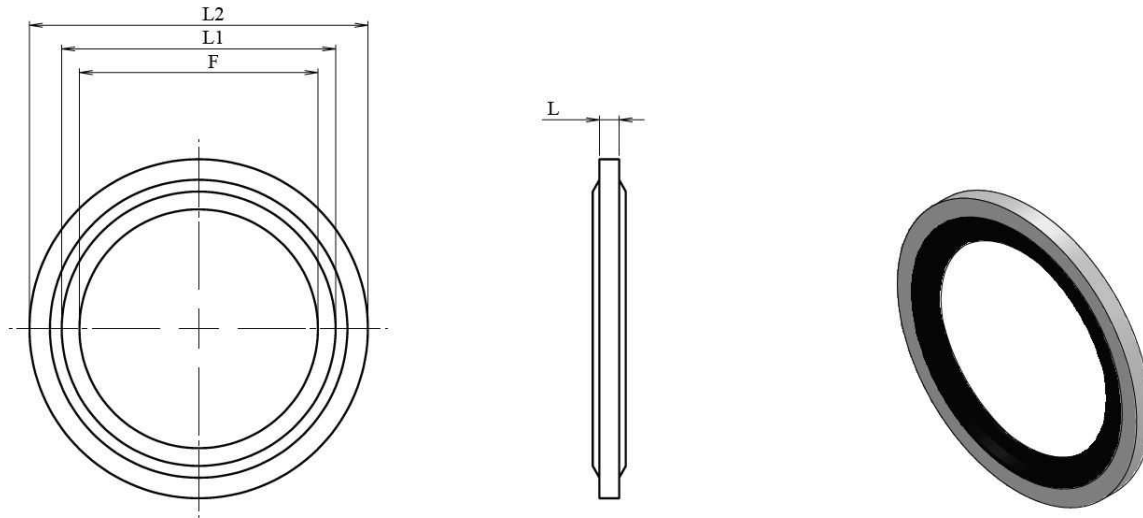


**BSP Bonded Seal**

Carbon steel



**Materials** Metal: carbon steel AISI 1008 -1010  
 Seal: NBR 85 +/- 5 Sh A  
 Surface treatment: zinc plate (Cr3)

**Working temperature** From -30°C to +100°C

Part n°	R1	Burst pressure (bar)	L	L1	L2	F	u/ Bag
<b>T21002</b>	1/8" BSP	770	2,0	10,3	15,8	8,56,	100
<b>T21004</b>	1/4" BSP	790	2,0	13,7	20,5	11,45	100
<b>T21006</b>	3/8" BSP	630	2,0	17,2	23,8	14,96	100
<b>T21008</b>	1/2" BSP	580	2,0	21,5	28,5	18,64	100
<b>T21010</b>	5/8" BSP	640	2,0	23,4	31,7	20,60	100
<b>T21012</b>	3/4" BSP	540	2,0	27	34,9	24,13	100
<b>T21016</b>	1" BSP	400	2,5	33,8	42,8	30,30	50
<b>T21020</b>	1"1/4 BSP	350	2.5	42,9	52,3	38,96	25
<b>T21024</b>	1"1/2 BSP	350	2.5	48,4	58,6	44,86	25
<b>T21032</b>	2" BSP	370	2.5	60,5	73	56,67	25
<b>T21040</b>	2" 1/2 BSP	340	3,2	76	90,1	72,20	25